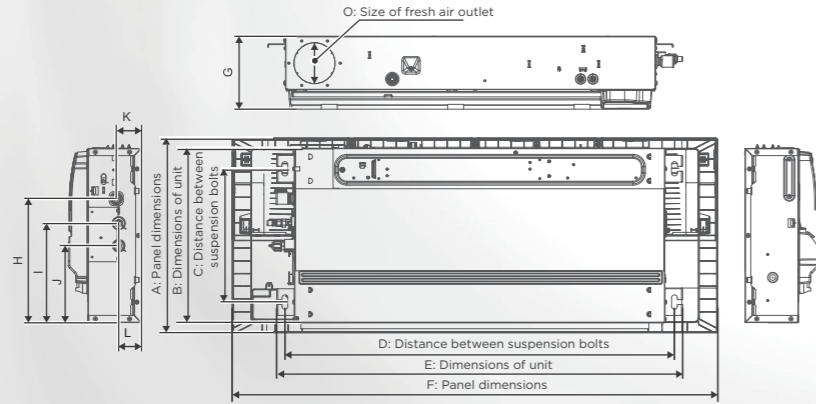


# Dimensions (unit:mm)



Capacity(kW)	A	B	C	D	E	F	G	H	I	J	K
kW<2.2	475	425	325	746	786	980	178	303	243	188	60
2.2<kW<3.6	475	425	325	946	986	1180	178	303	243	188	60
3.6<kW<7.1	475	425	325	1246	1286	1480	178	303	243	188	60

## Specifications

Model	MIH18Q1HN18(A)	MIH22Q1HN18(A)	MIH28Q1HN18(A)	MIH36Q1HN18(A)
Power supply	1-phase, 220-240V, 50/60Hz			
Cooling <sup>1</sup>	Capacity	kW	1.8	2.2
		kBtu/h	6.1	7.5
Heating <sup>2</sup>	Capacity	kW	2.0	2.5
		kBtu/h	6.7	8.5
Airflow rate <sup>3</sup>	m <sup>3</sup> /h	300/283/266/250/233/216/200	400/375/350/325/300/275/250	500/464/428/392/356/320/285
Sound pressure level <sup>4</sup>	dB(A)	28/27/26/25/24/23/23	32/30/29/28/27/26/25	33/31/30/29/27/26/25
Indoor unit	Net dimensions <sup>5</sup> (WxHxD)	mm	700x150x425	900x150x425
	Net dimensions (no water tray)(WxHxD)	mm	700x130x425	900x130x425
	Packed dimensions (WxHxD)	mm	880x225x510	1080x225x510
	Net/Gross weight	kg	9.6/11.9	11.2/13.8
Panel	Net dimensions (WxHxD)	mm	980x32x475	1180x32x475
	Packed dimensions (WxHxD)	mm	1070x100x560	1270x100x560
	Net/Gross weight	kg	2.4/3.7	3/4.6
Pipe connections	Liquid/Gas pipe	mm	Φ6.35/Φ12.7	
	Drain pipe	mm	OD Φ25	

Model	MIH45Q1HN18(A)	MIH56Q1HN18(A)	MIH71Q1HN18(A)	
Power supply	1-phase, 220-240V, 50/60Hz			
Cooling <sup>1</sup>	Capacity	kW	4.5	5.6
		kBtu/h	15.4	19.1
Heating <sup>2</sup>	Capacity	kW	5.0	6.3
		kBtu/h	17.1	21.5
Airflow rate <sup>3</sup>	m <sup>3</sup> /h	750/702/655/607/560/512/465	900/845/791/737/683/629/575	980/916/853/790/726/663/600
Sound pressure level <sup>4</sup>	dB(A)	39/37/36/35/34/33/32	45/43/42/40/39/37/36	47/45/44/43/42/41/40
Indoor unit	Net dimensions <sup>5</sup> (WxHxD)	mm	1200x150x425	1200x130x425
	Net dimensions (no water tray)(WxHxD)	mm	1200x130x425	1200x130x425
	Packed dimensions (WxHxD)	mm	1280x225x510	1280x225x510
	Net/Gross weight	kg	14.3/17.7	15.5/18.8
Panel	Net dimensions (WxHxD)	mm	1480x32x475	1570x32x475
	Packed dimensions (WxHxD)	mm	1570x100x560	1660x100x560
	Net/Gross weight	kg	3.8/5.5	4.5/6.2
Pipe connections	Liquid/Gas pipe	mm	Φ6.35/Φ12.7	
	Drain pipe	mm	OD Φ25	

- Notes:
- Indoor temperature 27°C DB, 19°C WB; outdoor temperature 35°C DB; equivalent refrigerant piping length 7.5m with zero level difference.
  - Indoor temperature 20°C DB; outdoor temperature 7°C DB, 6°C WB; equivalent refrigerant piping length 7.5m with zero level difference.
  - Air flow rate are from the highest speed to the lowest speed, total 7 rates for each model.
  - Sound pressure level is from highest level to lowest level, total 7 levels for each model. Sound pressure level is measured 1.4m below the unit in a anechoic chamber.
  - Unit body dimensions given are the largest external dimensions of the unit, including hanger attachments.

## Midea Building Technologies Division Midea Group

Add.: Midea Headquarters Building, 6 Midea Avenue, Shunde, Foshan, Guangdong, China  
Postal code: 528311

mbt.midea.com/global www.midea-group.com ics.midea.com

Midea reserves the right to change the specifications of the product, and to withdraw or replace products without prior notification or public announcement. Midea is constantly developing and improving its products.



B-V8Q1NH202406



## VRF Indoor Units One-way Cassette



DISCOVER  
RELIABLE COMFORT

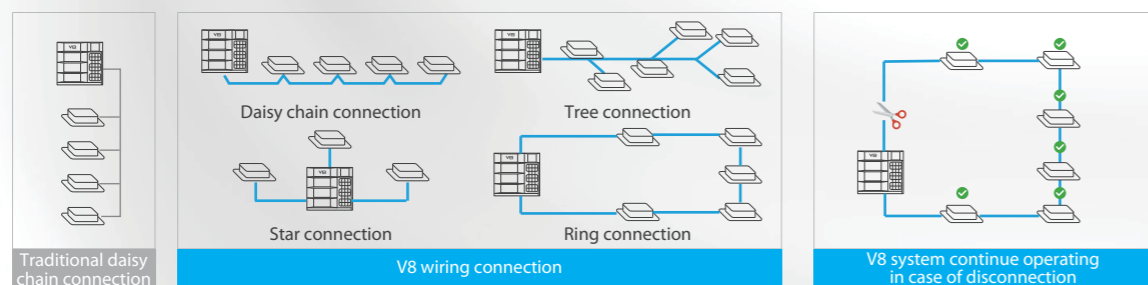
# Why Choose V8 One-way Cassette Indoor Units



**True Feelings 1:** During the installation of VRF systems, errors often occur when connecting the communication line, often resulting in project delay

## Support any topology communication\*

In addition to the traditional daisy chain connection, the communication wire supports tree connection, star connection, ring connection and so on. The wiring is flexible, which greatly reduces the installation cost and has no possibility of wrong connection on site.



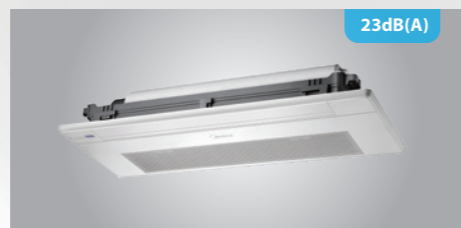
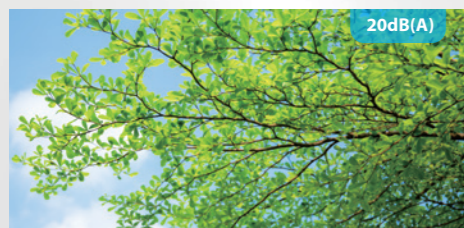
\*Only when use HyperLink communication.



**True Feelings 2:** I spent 200 days a year in other hotels because of business trips. The most troublesome thing was that I could not sleep because the air conditioner was too noisy at night.

## Quiet Operation

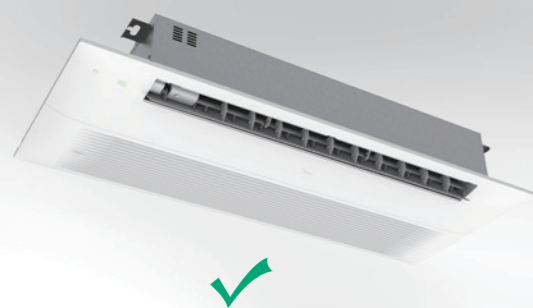
By optimizing the design of fan motor, air duct and heat exchanger, the new duct operates with noise as low as 23dB(A), creating a quieter and more comfortable environment



**True Feelings 3:** When using the air conditioner every summer, the air conditioner always drips water and causes the floor dirty.

## Automatic anti-condensation

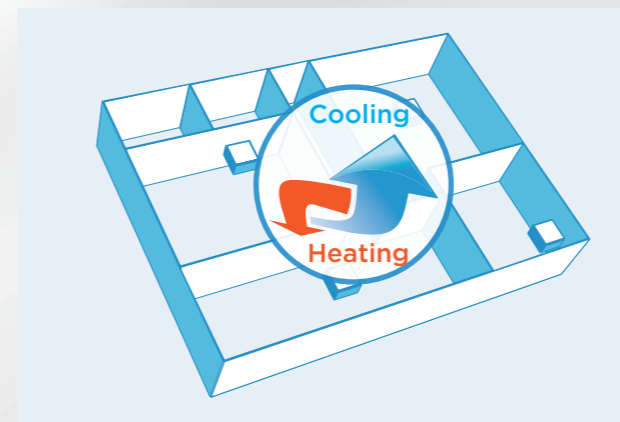
The One-way Cassette can automatically enter and exit the anti-condensation mode by detecting its own operation data; In the anti-condensation mode, the machine can change the outlet angle of the guide vane intermittently to prevent the local temperature difference of the guide panel from being too large and avoid the occurrence of condensation.



# Features

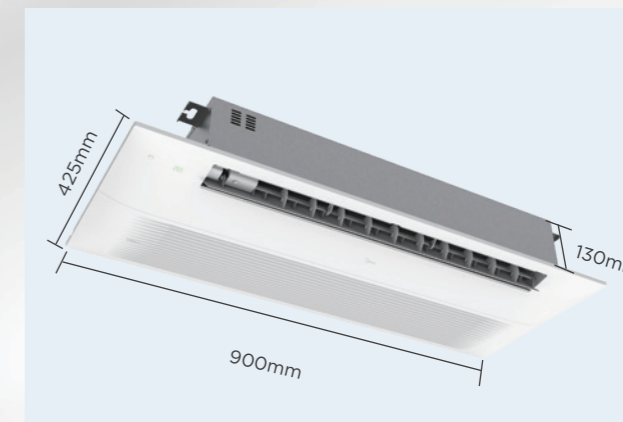
## Auto Cooling-heating Changeover

Automatically selects cooling or heating mode to achieve the set temperature.



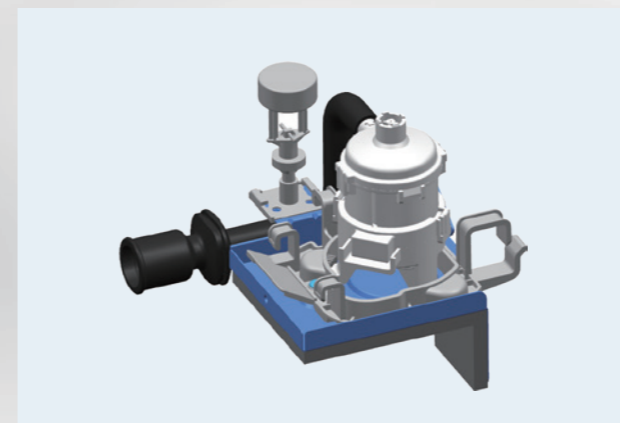
## Multiple Steps Vertical Swing

Ultra-thin body design, the body height of the whole series is only 130mm, greatly saving space and more flexible installation.



## Digital feedback DC water pump

Digital feedback DC water pump: actively sense the pump speed and water flow to determine whether there is jamming attenuation or damage, and give early warning to avoid water leakage.



## High-lift drain pump

A drain pump with a 1200mm raise height is fitted as standard, simplifying installation of the drain piping.

